

Kühl®

Stylish Fans
Above all.



USER MANUAL

MARCH 2024

BLDC
FAN

SAVES
ELECTRICITY

LOW
NOISE

HIGH
AIRFLOW



Kühl INSPIRA P1

BLDC Pedestal Fan

Welcome to Kühl

Dear Customer,

Thank you for choosing Kühl Stylish Fans. These fans offer high speed fast cooling with low noise and low electricity bills, thanks to the cutting-edge BLDC technology.

We prioritize customer satisfaction, ensuring each Kühl Stylish fan undergoes rigorous testing across all aspects of its operation, effectiveness, and efficiency. Our comprehensive testing procedures evaluate its performance under diverse working conditions, guaranteeing a product that exceeds expectations.

Kühl Inspira BLDC Fan enhances the experience of a pedestal fan with BLDC technology and low noise function. Despite their stylish appearance, they consume just 1/3rd energy. Say goodbye to high electricity bills and embrace a smarter future with Kühl Stylish Fans.

Thank you!

Kühl Stylish Fans

TABLE OF CONTENTS

1. Introduction	4
2. Features of Kuhl Inspira P1 BLDC Pedestal Fan	4-5
3. Items in the Box	5
4. Know your Remote Control Device	6
5. Power Saving & Energy Efficient Guide	6
6. Cost Saving Guide	7
7. Safety Guidelines	7
8. Assembly Instructions	8-11
9. How to Operate Remote Control Device	12

INTRODUCTION

With its focus on functionality and efficiency, Kühl Inspira Fans redefines the pedestal fan experience. Enjoy high-speed cooling, low noise operation, and energy efficiency, thanks to advanced BLDC technology. Unlike traditional fans, Kühl Inspira Fans consume just 1/3 of energy while delivering high air flow, making it the choice for your home. Immerse yourself in comfort and style with a blend of modern features and a sleek finish, elevating both functionality and style in your living space.

FEATURES OF YOUR KÜHL INSPIRA P1 BLDC PEDESTAL FAN

- **BLDC Technology for Energy Saving:** Kühl Stylish Fans offer better speed versus torque characteristics. It ensures high dynamic response and efficiency. Thanks to its lack of electrical and friction losses, it offers long operating life and ensures one more step towards building a sustainable future.
- **Highest Air Delivery:** Energy efficient operation with around 28 W Power, 400 mm Sweep, & high RPM Speed to fill every corner of your place with fresh air as per your need. Its higher air force ensures unmatched comfort in every corner of the place.
- **Low Noise:** A low noise operation without compromising speed limit is one of the most desired features of Kuhl Stylish Fans. They operate at low speeds while providing high air flow with low turbulence and minimal wind noise.
- **Remote Operated:** Kuhl Inspira P1 Pedestal BLDC Fan is remote operated, conveniently adjust the fan speed, set timer, swing, or sleep mode.
- **Height Adjustment:** The Kühl Inspira P1 offers customizable fan height adjustment, allowing you to tailor it to your comfort preferences. With the ability to effortlessly raise or lower the fan height, you can enjoy personalized airflow wherever you need it.

- **Oscillation:** The Kühl Inspira P1 features dynamic swiveling capabilities, effortlessly dispersing air to every corner of your space. Its smooth side-to-side motion ensures comprehensive airflow coverage, optimizing comfort throughout the room.
- **Tilt Mechanism:** The Kühl Inspira P1 is equipped with a versatile tilt mechanism, enabling you to effortlessly adjust the fan's angle up or down to achieve your desired airflow direction. This convenient feature ensures that you can easily set and maintain the perfect airflow for your comfort.
- **Attractive Design:** Stylish enough to enhance the look of your place, Kühl Stylish Fans feature decorative trims and a sleek surface that become the centre of attention in any space.

SPECIFICATION	Kühl Inspira P1 BLDC Pedestal Fan
Power (Watt)	28
Sweep (mm)	400
Air Delivery	77
Speed in RPM at 5th position	1200

ITEMS IN THE BOX

Base	1 N	
Pole Assembly	2 N	
Motor Assembly	1 N	
Blade	1 N	
Front and Rear Gaurd	1 N	
Remote	2 N	
Pencil Cell AA	2 N	

KNOW YOUR CONTROL DEVICE

- **SPEED SETTINGS:** Speed varies for five different levels, wherein S1 is the lowest fan speed and S5 is the highest. Press as per your requirement.
- **SLEEP MODE:** Auto speed control for uninterrupted comfortable sleep. Select this setting before going to bed, and the speed will automatically drop to the minimum pace as you specify.
- **BUILT-IN TIMER:** You can use timer settings for 1 hour, 4 hours, & 8 hours accordingly.
- **BOOST MODE:** Press this button to accelerate the fan past its maximum speed directly when it's too hot.
- **SWING MODE:** Press this button to oscillate the fan from side to side.



POWER SAVING & ENERGY EFFICIENT GUIDE

Kühl Stylish Fans come with revolutionary and super energy-efficient BLDC motor technology that consumes less energy. Our fans consume only 1/3rd of the power consumed by ordinary fans. Kühl Stylish Fans run on just 28 Watt at full speed whereas ordinary Pedestal fans run at 75 W.

COST SAVING GUIDE

	Ordinary Pedestal Fans	Kühl Inspira P1 Pedestal Fan
Assumed usage of fan per day (hours)	16 h	16 h
Power consumption*	75 W	28 W
Power consumption – KWh Units per day	1.2 KWH	0.44 KWH
Electricity bill per day @ Rs 7/unit	₹8.4	₹3.08
Electricity bill per annum	₹3066	₹1124
Savings per annum	-	₹1942
Cost saving	-	63%

Ordinary Pedestal fan runs between the range of 50-100 W.

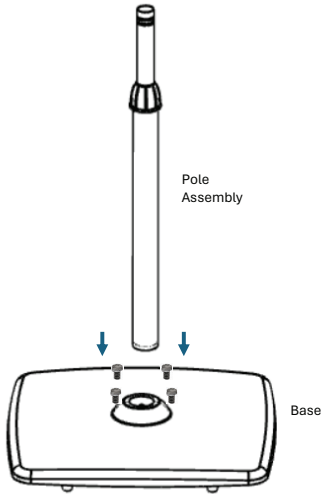
SAFETY GUIDELINES

Read the safety guidelines carefully to understand the installation, use and maintenance.

- Never place any part of the packaging within the reach of children/differently abled.
- Avoid using moist or damp hands while switching on/off the appliance.
- Before cleaning and doing other maintenance procedures, be sure to turn off the fan's power supply.
- To prevent mishaps, it is advised to inspect the suspension system of the ceiling fan every six months to ensure that the fasteners are properly tight.

ASSEMBLY INSTRUCTIONS

KÜHL INSPIRA P1 BLDC PEDESTAL FAN

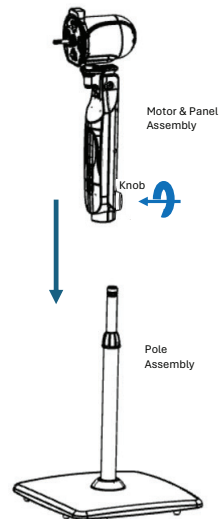


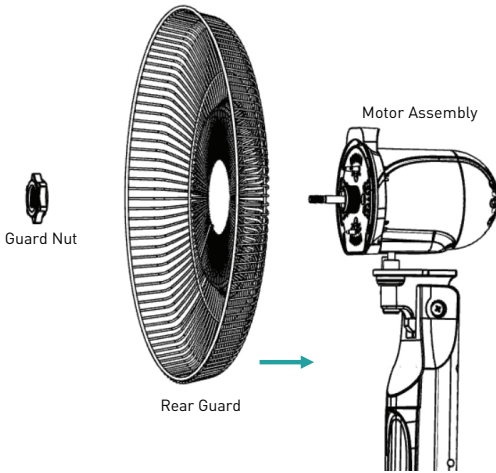
STEP 1:

Assemble the Pole Assembly onto Base with help of 4 screws provided on Base.

STEP 2:

Insert the Motor & Panel Assembly onto Pole Assembly and tighten with Knob



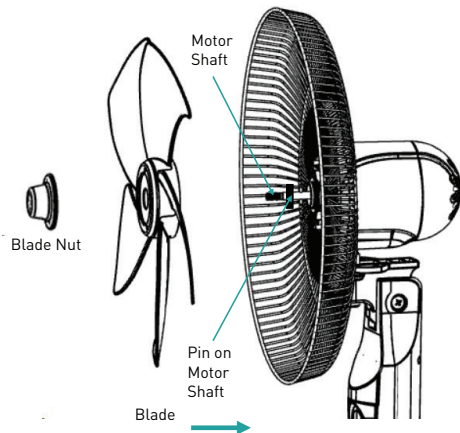


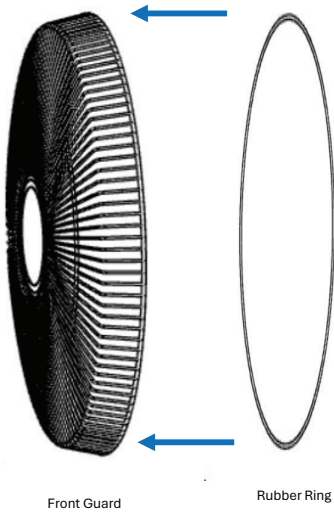
STEP 3:

Take out the Guard Nut from Motor Assembly, assemble the Rear Guard onto Motor Assembly, and re-tighten the Guard Nut.

STEP 4:

Take out the Blade Nut from Motor Shaft, assemble the Blade onto Motor Shaft. Take care the slots in Blade Hub insert onto the Pin on Motor Shaft. Finally re-tighten the Blade Nut.



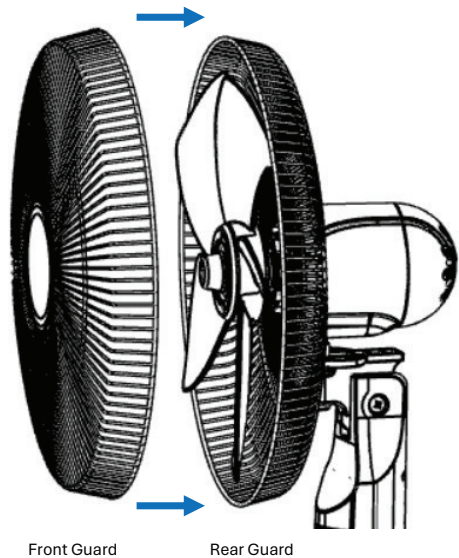


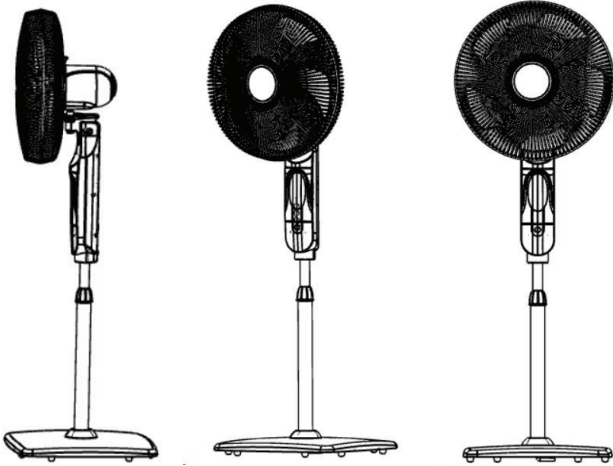
STEP 5:

Insert The Rubber Ring onto the Front Guard tightly

STEP 6:

Assemble the Front Guard onto Rear Guard by stretching and overlapping the Rubber Ring over Rear Guard





STEP 7:

Assembled Pedestal Fan

HOW TO OPERATE REMOTE CONTROL DEVICE

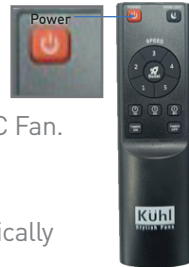
Get the Remote ready.

- Insert 2 AA Batteries into the Remote Unit's slot provided at the back.
- Switch ON the fan from switch board to operate it with Remote as explained hereafter.



Power ON/OFF Button

- Press power button on remote to start BLDC Fan
- Beep sound will indicate that it is switched ON.
- Press power button again to switch off / on the BLDC Fan.
- BLDC fan always re-starts at last Switch OFF speed.
- In case there is a power failure, the fan will automatically restart at previous speed
- If you want to switch off the fan during power failure, you must switch it off from the main board switch in wall, as remote is not operational without power.
- It is recommended to Switch off the fan from wall mounted switch when going out of home



Speed Buttons

- Kuhl Inspira P1 BLDC Pedestal Fan comes with five different speed settings. You can control the speed, with the help of the (-) (+) buttons. For instance, to decrease the speed press (-) and vice-versa





CONTACT US AT:

E-6,7 & 8, Sector-59, Noida, U.P.-201 309, India. Call: 92-789-12345

E-mail: service@kuhl.in or visit us at www.kuhl.in