

Kühl[®]
Stylish Fans

Kühl GALAXIS

STYLISH FANS FOR MODERN HOMES

BLDC
FAN

SAVES
ELECTRICITY

LOW
NOISE

2 YEARS
WARRANTY



User Manual

Welcome to **Kühl**

Dear Customer,

Thank you for choosing **Kühl Stylish Fans**! It is indeed a wise decision as **Kühl Stylish Fans** are based on the new BLDC technology that offers energy efficiency, high air-flow & low noise operation even at a high speed. This feature not only helps to keep your home comfortable but also keeps the electricity bill in check. We believe that customer satisfaction is at the core of our values as each **Kühl Stylish Fan** is delivered to you after going through an extensive and complete series of testing procedures that examine every area of its operation, effectiveness, and efficiency under various working situations.

Kühl Stylish Fans are here with everything you need from a fan and much more to give you all-round performance. With 1/3 the energy consumption, it is a pioneer in energy efficiency and brings you world-class comfort. It's time to say goodbye to high electricity bills and be part of the smart future.

Thank you!

Kühl Stylish Fans

TABLE OF CONTENTS

1. Introduction.....	1
2. Features of Kühl Galaxis Stylish Fan.....	1
3. Items in the Box	2
4. Know your Remote Control Device.....	3
5. Power Saving & Energy Efficient Guide.....	4
6. Cost Saving Guide	4
7. Mounting Recommendations & Maintenance	5
8. Safety Guidelines	5
9. Assembly Instructions	6-19
10. How to operate Kühl Galaxis BLDC Fan	20
11. How to Operate Remote Control Device	20-21

Introduction

Add elegant, yet magnificent statement piece to your home with the stylish Kühl Galaxis Series fans. Featuring a stunning design, Kühl Galaxis offers extraordinary air in your home while illuminating it with its fabulous down-lighting. Its streamlined design is a perfect choice to give your home an aesthetically pleasing touch that's sure to redefine the interiors of your home. What's more? Kühl Galaxis works on 32/37/38 Watt power to save up to as much as 65% electricity. The series includes Kühl Galaxis G5, G6 & G8 that easily blends that easily blends with various décor styles and enhances it with its elegance.










Features of Kühl Galaxis Stylish Fans

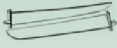


- 1. BLDC Technology for Energy Saving:** Kühl Stylish Fans offer better speed versus torque characteristics. It ensures high dynamic response and efficiency. Thanks to its lack of electrical and friction losses, it offers long operating life and ensures one more step towards building a sustainable future.
- 2. Highest Air Delivery:** Energy efficient operation with around 32/37/38 W Power, 1740/1670/1500/1400 mm Sweep, & high RPM Speed to fill every corner of your place with fresh air as per your need. Its higher air force ensures unmatched comfort to every corner of the place.
- 3. Low Noise:** The low noise operation without compromising the speed limit is one of the most desired features of Kühl Stylish Fans. They operate at low speeds while providing high air flow with low turbulence and minimal wind noise.
- 4. Down Light:** Designed to add light and enhance the decor of your space, Kühl Stylish Fans exudes sheer elegance with its IoT-enabled down light, so you can switch it on or off using your phone, remote, Wi-Fi/IoT operated or Alexa.
- 5. One Fan Many Operations:** Kühl Stylish Fans are IoT-enabled, making it efficient and easy to use. Conveniently set to adjust the fan speed, lighting preferences, different modes, set timer, and a lot more via:
 - Remote
 - Smart Phones
 - Alexa/Voice Enabled
 - Wi-Fi/IoT Operated

6. **Aerodynamic Blades:** Aerodynamic design helps deliver higher airflow and low noise at a low wattage.
7. **Reverse Mode:** During winters, when hot air gets stuck at the top of the ceiling, you can switch on the reverse mode for air circulation, so you can feel warm air consistently spread across the place.
8. **Attractive Design:** Stylish enough to enhance the look of your place, Kühl Stylish Fans feature decorative trims and a sleek surface that become the centre of attention in any space.
9. **5 Star Rated:** All Kühl Stylish Fans are 5 Star Rated that helps bring down the power consumption, thus, saving a lot of energy and money.

SPECIFICATION	Kühl Galaxis G8 (1740 mm)	Kühl Galaxis G8 (1500 mm)	Kühl Galaxis G6 (1670 mm)	Kühl Galaxis G6 (1400 mm)	Kühl Galaxis G5 (1670 mm)	Kühl Galaxis G5 (1400 mm)
Max Power (W)	37	38	37	32	37	32
Sweep (mm)	1740	1500	1670	1400	1670	1400
Max Speed (RPM)	105	119	126	142	130	153
Max Air Delivery (CMM)	285	280	282	245	264	245

Items in the box

Canopies	2 N	
Down Rod	1 N	
False cover	1 N	
Controller Box	1 N	
Motor Assembly	1 N	
LED Light Assembly	1 N	
Shackle	1 N	
Down Rod Bolt	1 N	
Remote Unit	1 N	

Blades	5/6/8 N	
Supply Wire	1 N	
Pencil Cell AAA	2 N	
Warranty Card	1 N	

Know your Control Device

• Remote

- 1. SPEED SETTINGS:** Speed varies for five different levels, wherein S1 is the lowest fan speed and S5 is the highest. Press as per your requirement.
- 2. SLEEP MODE:** Auto speed control for uninterrupted comfortable sleep. Select this setting before going to bed, and the speed will automatically drop to the minimum pace you specify.
- 3. BUILT-IN TIMER:** You can use timer settings for 1 hour, 4 hours, & 8 hours accordingly.
- 4. BOOST MODE:** Press this button to accelerate the fan past its maximum speed directly when it's too hot.
- 5. REVERSE MODE:** When you put the fan into reverse, it draws air upward. This brings the warmer air near the ceiling back down into lower half of the room, where the people are.
- 6. BRIGHTNESS:** Increase or decrease the brightness of downlight to create an ambient display in your place.



• IoT/Wi-fi

Please follow the given steps to connect K hl fan to Wi-Fi Network:

- Use a Paired Remote
- Switch ON Fan
- Press & hold "Boost" button
- On remote for 10s
- 2 Beeps indicate success
- Use K hl mobile app for Wi-Fi Pairing

• Voice command/Alexa

To set up Alexa:

Simply link your Alexa account to the K hl mobile application to setup Alexa with your K hl fan.

Power Saving & Energy Efficient Guide

Kühl Stylish Fans come with revolutionary and super energy-efficient BLDC motor technology that consumes less energy. Our fans consume only 1/3rd of the power consumed by induction fans. Kühl Stylish Fans run on just 32/37/38 Watt at full speed whereas induction fans run on approx. 75 Watt.

Cost Saving Guide

	Induction Fans	Kühl Galaxis Fans (G5 & G6) (1400 mm)	Kühl Galaxis Fans (G5, G6 & G8) (1670mm & 1740 mm)	Kühl Galaxis Fans (G8) (1500 mm)
Power consumption	75 W	32 W	37 W	38 W
Assumed usage of fan per day (hours)	16 h	16 h	16 h	16 h
Power consumption – KWh Units per day	1.2 kWh	0.512 kWh	0.592 kWh	0.608kWh
Electricity bill per day @ Rs 7/unit	Rs 8.4	Rs 3.58	Rs 4.13	Rs 4.25
Electricity bill per annum	Rs 3066	Rs 1306.7	Rs 1507.4	Rs 1551.2
Savings per annum	-	Rs 1759.3	Rs 1558.6	Rs 1514.8
Cost saving (Up to)	-	57%	51%	49%

Mounting Recommendations & Maintenance

1. A minimum height of 2.3 meters above the ground is required for the fan's mounting. Allow enough room from the ceiling for the high-level cabinet doors to open. At least 0.25 meters should separate the blade from the ceiling.
2. The horizontal distance from the nearest wall to the blade tip should be around 0.5 times the fan sweep, for example, from 1500 mm, it should be 750 mm.
3. There should be a minimum clearance of 2 times the fan sweep between the centers of two fans, for example, 1500 mm should be 3000 mm.
4. Turn the fan off before cleaning, to prevent any harm or damage. Be extremely cautious while working around the fan. There is no additional type of maintenance needed except routine dusting. To prevent scratches, use a soft brush or a lint-free cloth. Avoid using solvent, abrasive, or hard detergent.
5. To prevent the fan from wobbling or dropping, never exert too much power while cleaning the blades. To prevent any inconvenience, frequently check that the nuts, bolts, screws, and washers are in correct position.

Safety Guidelines

Read the safety guidelines carefully to understand the installation, use, and maintenance.

1. Never place any part of the packaging within the reach of children/differently abled.
2. Avoid using moist or damp hands while switching On/Off this appliance.
3. Before cleaning and doing other maintenance procedures, be sure to turn off the fan's power supply.
4. To prevent mishaps, it is advised to inspect the suspension system of the ceiling fan every six months to ensure that the fasteners are properly tight.

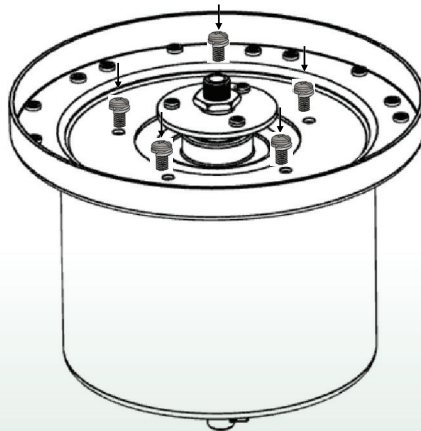
Assembly Instructions Kühl Galaxis Series Fan

Step 1. Place the Motor Assembly



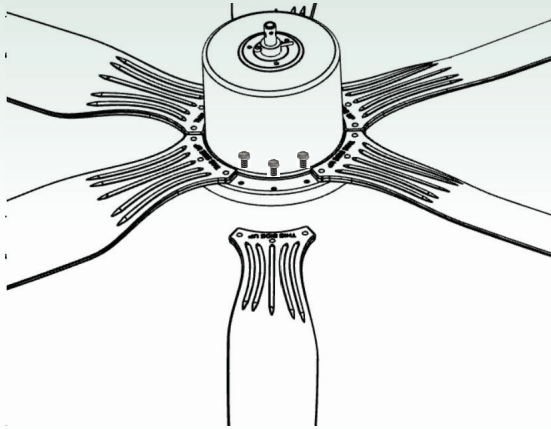
As shown in the figure, remove all 5 motor screws

Step 2. Assemble the Blade Housing



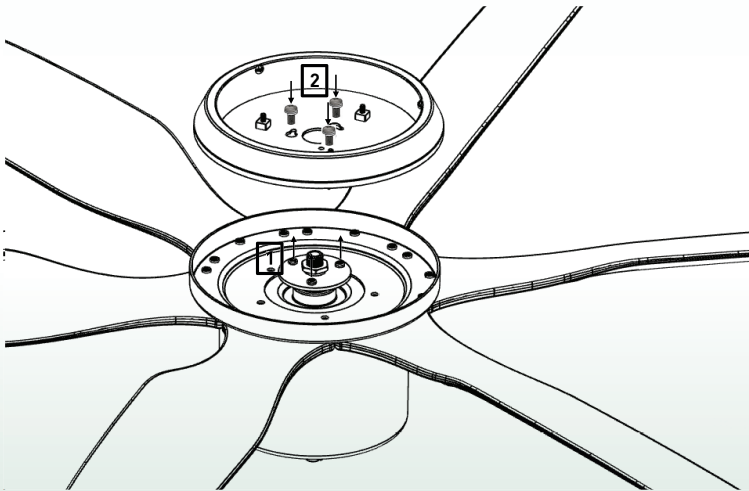
Assemble the Blade Housing with previously removed screws

Step 3. Install All Blades



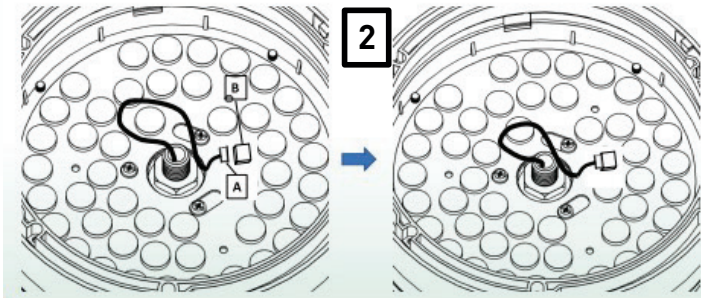
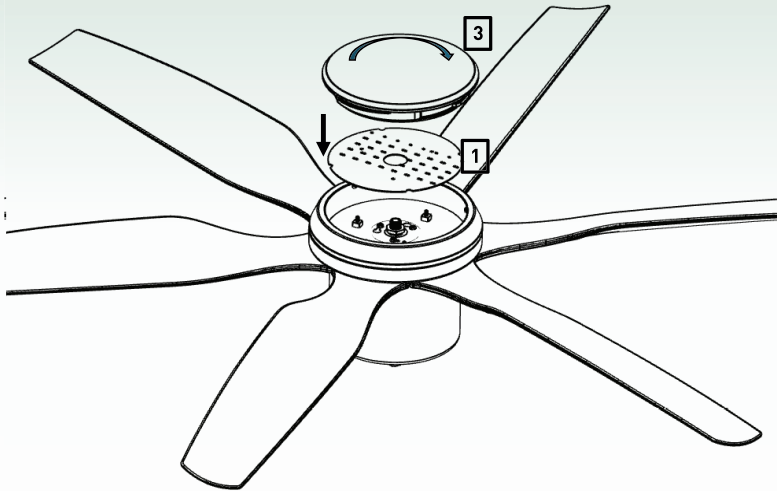
Turn the fan over and install blades with blade screws provided on Blade Housing

Step 4A. Install the LED Light



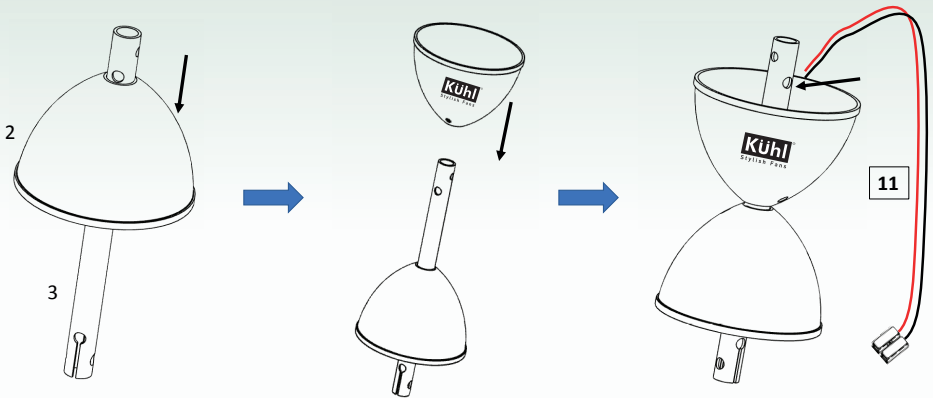
Remove 3 screws from LED Fixing Plate (1), Place the Light Housing on it, and tighten with the same 3 screws (2)

Step 4B. Install the LED Light



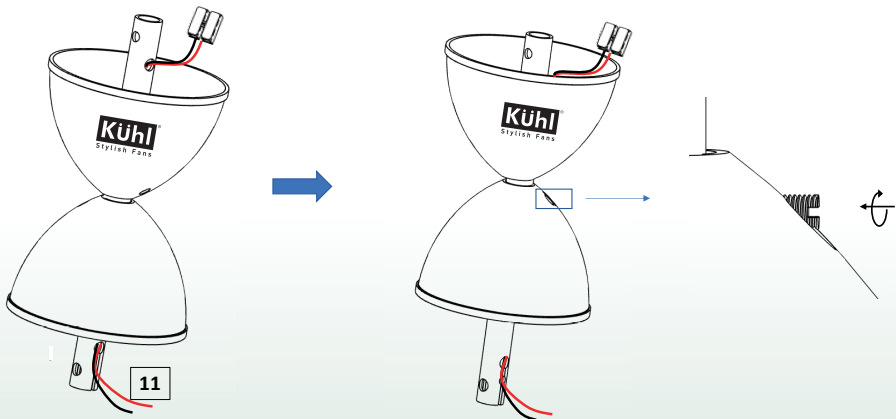
Fasten the LED (1), make wire connections (2) , and close with diffuser (3)

Step 5. Assemble Down Rod and Canopies



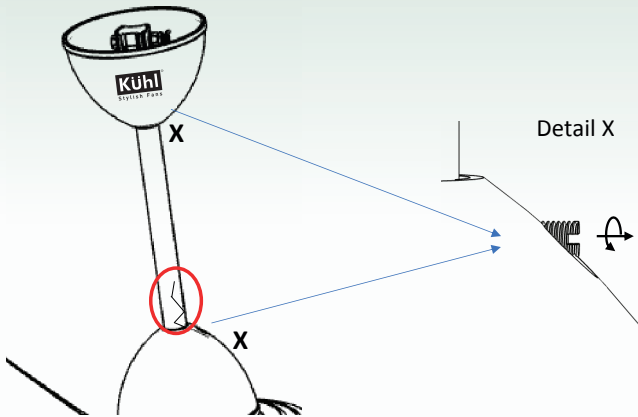
- Insert Bottom Canopy **(2)** from Top end of Downrod **(3)** (no-slit end)
- Insert Top Canopy also from the same end
- Insert Supply Wire provided through the lower one of the Top side holes in Downrod

Step 6. Insert Supply Wire



- Take the Supply wire **(11)** out from the slit-end of Downrod **3**
- Raise the Canopies up and lock in place by tightening the lower canopy screw

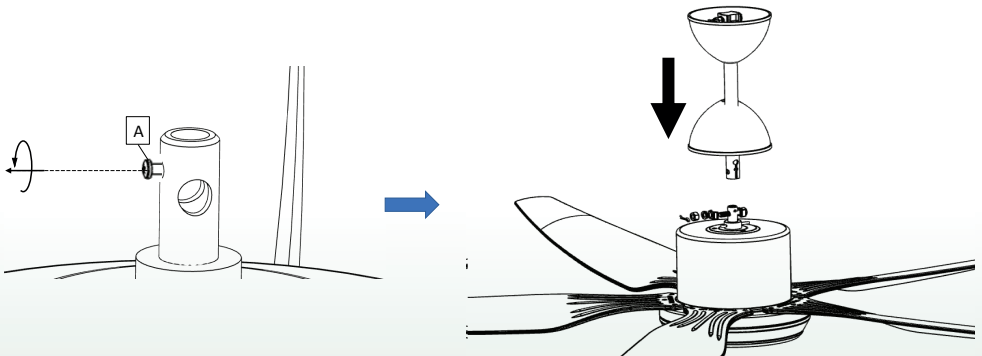
Caution : Don't move canopy while screw is tightened



With screws **X** tightened, there can be scratches incurred on Down Rod on movement of canopy.

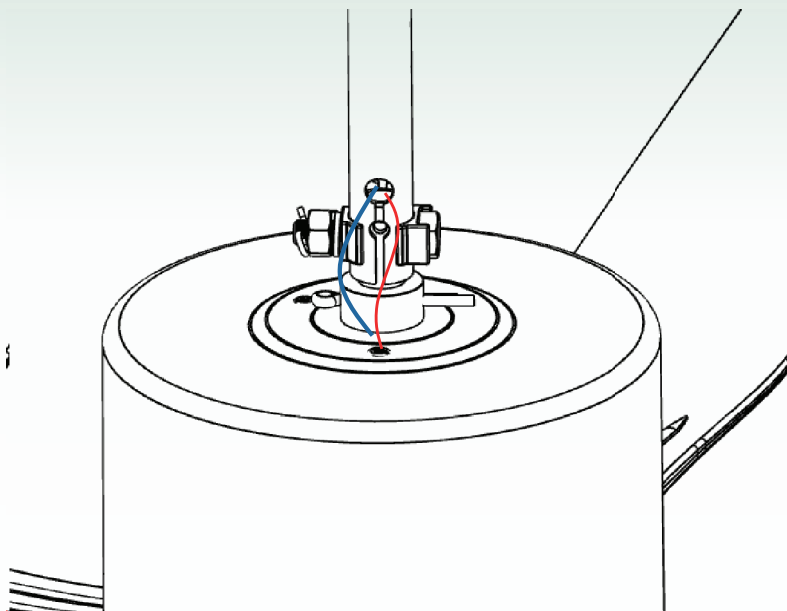
Always loosen the screw before moving the canopy up / down, and re-tighten the screw after desired placement.

Step 7. Start Down Rod Assembly



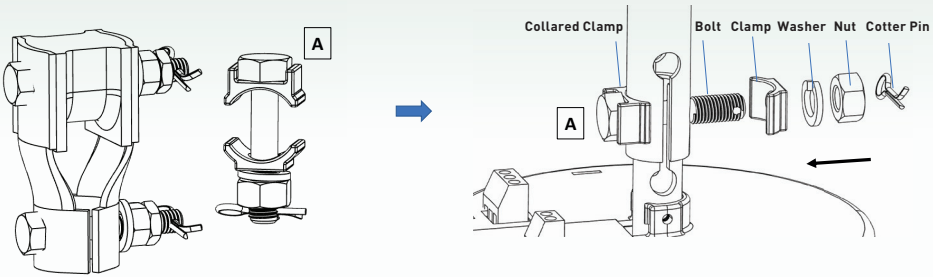
- Unfasten Safety screw **(A)** on shaft
- Place Down Rod **(1)** over Motor Shaft, with slit-end downwards, as shown

Step 8. Make Input Electrical Connection



Make Input Electric connection into the Connector coming out of Fan

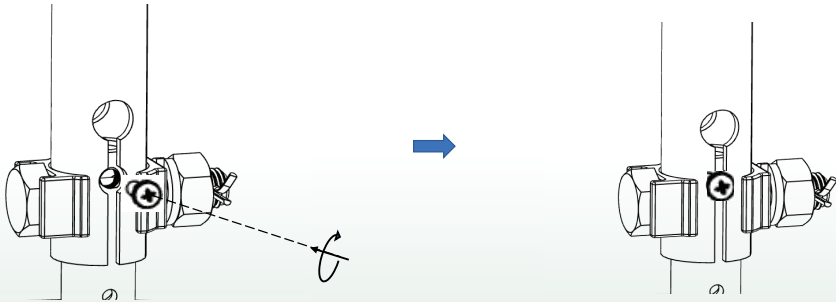
Step 9. Insert The Down Rod Bolt



Take the Down Rod Bolt **(A)** from Shackle kit Shackle

Insert The Down Rod Bolt with Collared Clamp through Down Rod and Shaft Holes. Assemble other bolt parts.

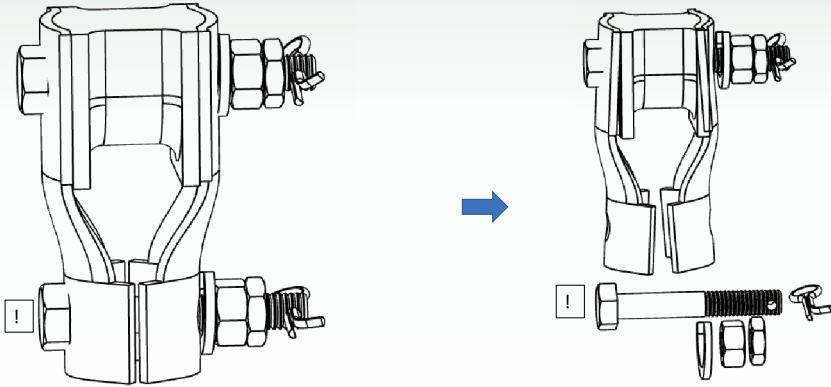
Step 10. Safety Screw Assembly



Reinsert the Safety screw

Safety screw tightened

Step 11. Open Lower Bolt (A) from Shackle

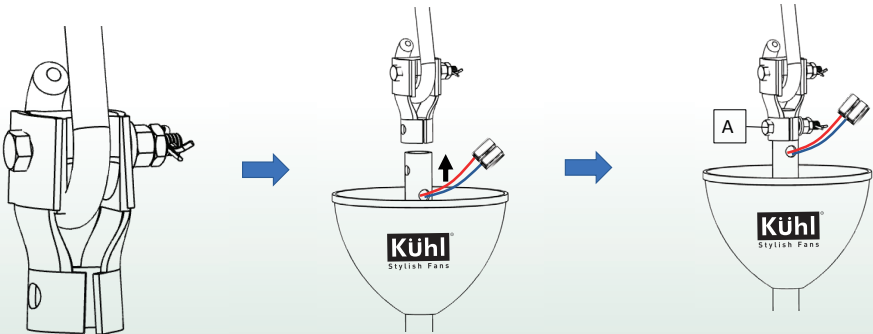


Step 12. Install Shackle and hang the Fan

Insert Shackle into Ceiling Hook

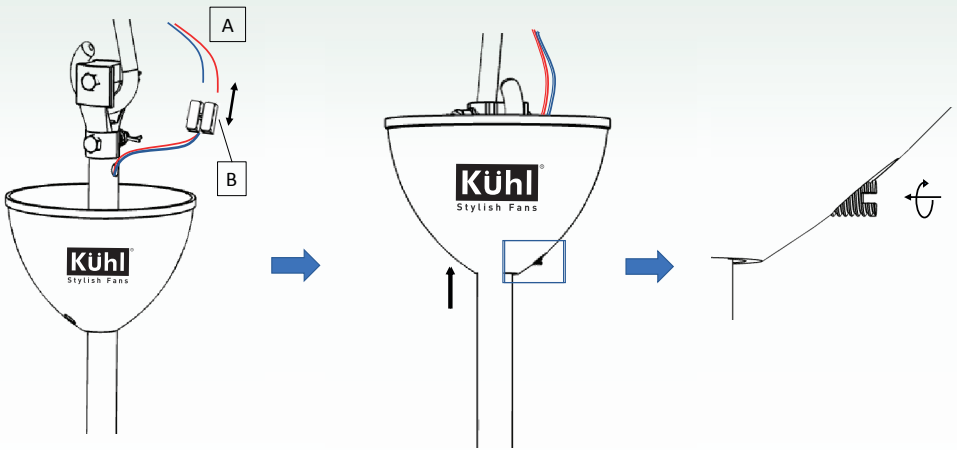
Raise Fan to Shackle

Re-insert Lower Bolt (A)



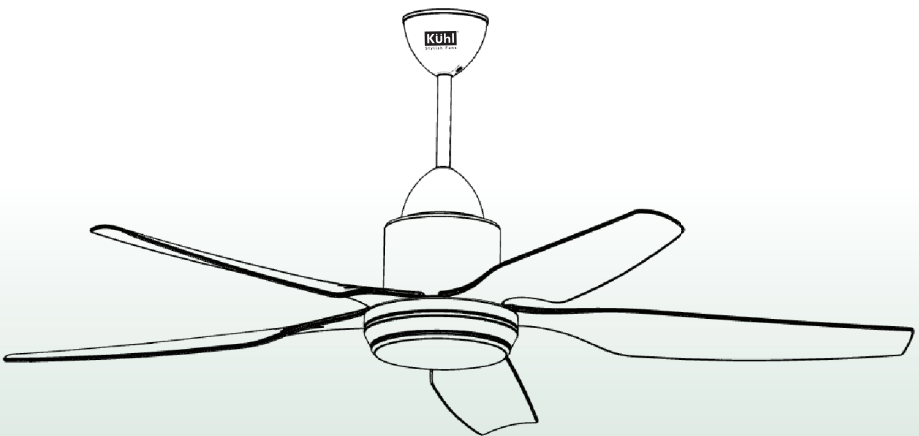
Tighten with Washer, Nut, Lock Nut and Cotter Pin in sequence as written

Step 13. Connect to Electric supply



- Connect the wires from Main Supply (A) into Fan connector (B)
- Raise the Canopy and tighten the Canopy screw

Step 14. Kühl Galaxis G5 Fan Assembly and Installation Complete



How to operate Kühl Galaxis BLDC Fan

Important Instructions regarding Regulator:

- Fan regulator is not required for this BLDC fan because it is operated by remote.
- You should ask your electrician to bypass the Regulator in Switch Board wiring. Otherwise fan may not operate properly.
- If Fan wiring is already through a Regulator in switch board, then make sure that Regulator is always set at max speed, and any change in speed should be done by Remote.



How to operate Remote Control Device

Get the Remote ready.

- Insert 2 Nos. AAA Batteries provided into the Remote Unit's slot provided at back.
- Switch ON the fan from switch board to operate it with Remote as explained hereafter.

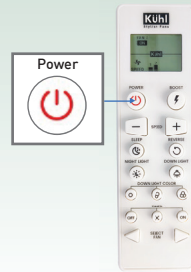
Pair the Remote with Fan, if not paired already

- Press POWER button on Remote to start BLDC Fan
- In case the fan starts running, your Remote is already paired
- However if the fan does not run, the remote requires pairing with Fan. Do the following:
- Switch OFF the fan from switch on the wall, and Switch it ON again
- Within 45 sec of switch ON, press the POWER button on Remote and keep it pressed for 10 sec. You'll hear a double beep. The fan is now paired and can be operated with remote.



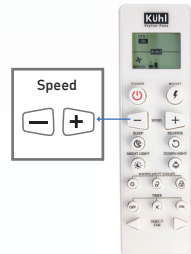
Power ON/OFF Button

- Press POWER button on Remote to start BLDC Fan
- Beep sound will indicate that it is switched ON.
- Press power button again to switch off / on the BLDC Fan.
- BLDC fan always re-starts at last Switch OFF speed.
- In case there is a power failure, the fan will automatically restart at previous speed
- If you want to switch off the fan during power failure, you have to switch it off from the Main board switch in wall, as remote is not operational without Power.
- It is recommended to Switch off the fan from wall mounted switch when going out of home.



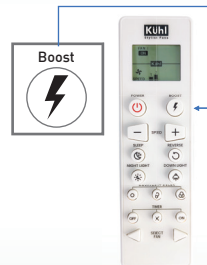
Speed Buttons

- Khl BLDC Fans comes with five different speed settings. You can control the speed, with the help of the (-) & (+) buttons. For instance, to decrease the speed press (-) and vice – versa.



Boost Button

- If you want to run the BLDC fan at maximum speed Press BOOST button on Remote. A beep will confirm the action.



Down Light Button

- To turn on the down light, press the DOWN LIGHT button from the fan remote, as soon as you press it, the down light of the fan will turn on.
- Pressing DOWN LIGHT button again will change the colour of Light. Pressing yet again will again change the colour of light to third Light mode. Pressing once again will switch Off the Light.



All Kühl Galaxis Fans are 5- Star Rated By BEE

POWER SAVINGS GUIDE

**MORE STARS
MORE SAVINGS**

**ENERGY EFFICIENCY
Service Value - 7.7***

Label Period: 1st July, 2022 to 31st Dec, 2024

Appliance /Type	: Ceiling Fan
Brand	: KUHIL
Model Name/Year	: KUHIL Galaxis-G5-1400/2024
Motor Type	: BLDC
Sweep Size (mm)	: 1400 mm
Power Input (watts)	: 32 watts
Air Delivery (cum/min)	: 245 cu m/min

BEEKEN/13044602

*Under test conditions. When tested in accordance with IS 274:2019 including all amendments. Actual service value may vary as per site conditions.

Kühl GALAXIS G5
(1400 mm)

POWER SAVINGS GUIDE

**MORE STARS
MORE SAVINGS**

**ENERGY EFFICIENCY
Service Value - 7.1***

Label Period: 1st July, 2022 to 31st Dec, 2024

Appliance /Type	: Ceiling Fan
Brand	: KUHIL
Model Name/Year	: KUHIL Galaxis-G5-1670/2024
Motor Type	: BLDC
Sweep Size (mm)	: 1670 mm
Power Input (watts)	: 37 watts
Air Delivery (cum/min)	: 264 cu m/min

BEEKEN/13044602

*Under test conditions. When tested in accordance with IS 274:2019 including all amendments. Actual service value may vary as per site conditions.

Kühl GALAXIS G5
(1670 mm)

POWER SAVINGS GUIDE

**MORE STARS
MORE SAVINGS**

**ENERGY EFFICIENCY
Service Value - 7.7***

Label Period: 1st July, 2022 to 31st Dec, 2024

Appliance /Type	: Ceiling Fan
Brand	: KUHIL
Model Name/Year	: KUHIL Galaxis-G6-1400/2024
Motor Type	: BLDC
Sweep Size (mm)	: 1400 mm
Power Input (watts)	: 32 watts
Air Delivery (cum/min)	: 245 cu m/min

BEEKEN/13044602

*Under test conditions. When tested in accordance with IS 274:2019 including all amendments. Actual service value may vary as per site conditions.

Kühl GALAXIS G6
(1400 mm)

POWER SAVINGS GUIDE

**MORE STARS
MORE SAVINGS**

**ENERGY EFFICIENCY
Service Value - 7.6***

Label Period: 1st July, 2022 to 31st Dec, 2024

Appliance /Type	: Ceiling Fan
Brand	: KUHIL
Model Name/Year	: KUHIL Galaxis-G6-1670/2024
Motor Type	: BLDC
Sweep Size (mm)	: 1670 mm
Power Input (watts)	: 37 watts
Air Delivery (cum/min)	: 282 cu m/min

BEEKEN/13044602

*Under test conditions. When tested in accordance with IS 274:2019 including all amendments. Actual service value may vary as per site conditions.

Kühl GALAXIS G6
(1670 mm)

POWER SAVINGS GUIDE

**MORE STARS
MORE SAVINGS**

**ENERGY EFFICIENCY
Service Value - 7.4***

Label Period: 1st July, 2022 to 31st Dec, 2024

Appliance /Type	: Ceiling Fan
Brand	: KUHIL
Model Name/Year	: KUHIL Galaxis-G8-1500/2024
Motor Type	: BLDC
Sweep Size (mm)	: 1500 mm
Power Input (watts)	: 35 watts
Air Delivery (cum/min)	: 280 cu m/min

BEEKEN/13044602

*Under test conditions. When tested in accordance with IS 274:2019 including all amendments. Actual service value may vary as per site conditions.

Kühl GALAXIS G8
(1500 mm)

POWER SAVINGS GUIDE

**MORE STARS
MORE SAVINGS**

**ENERGY EFFICIENCY
Service Value - 7.7***

Label Period: 1st July, 2022 to 31st Dec, 2024

Appliance /Type	: Ceiling Fan
Brand	: KUHIL
Model Name/Year	: KUHIL Galaxis-G8-1740/2024
Motor Type	: BLDC
Sweep Size (mm)	: 1740 mm
Power Input (watts)	: 37 watts
Air Delivery (cum/min)	: 285 cu m/min

BEEKEN/13044602

*Under test conditions. When tested in accordance with IS 274:2019 including all amendments. Actual service value may vary as per site conditions.

Kühl GALAXIS G8
(1740 mm)



CONTACT US AT:

E-6,7 & 8, Sector-59, Noida, U.P.-201 309, India. Call: 92-789-12345
E-mail: service@kuhl.in or visit us at www.kuhl.in