

Kühl
Stylish Fans

Kühl[®]
Stylish Fans



Kühl ARCTIS

STYLISH FANS FOR MODERN HOMES

BLDC
FAN

ENERGY
EFFICIENT

LOW
NOISE

HIGH
AIR FLOW



User Manual

Welcome to **Kühl**

Dear Customer,

Thank you for choosing **Kühl Stylish Fans**! It is indeed a wise decision as **Kühl Stylish Fans** are based on the new BLDC technology that offers energy efficiency, high air-flow & low noise operation even at a high speed. This feature not only helps to keep your home comfortable but also keeps the electricity bills in check. We believe that customer satisfaction is at the core of our values as each **Kühl Stylish Fan** is delivered to you after going through an extensive and complete series of testing procedures that examine every area of its operation, effectiveness, and efficiency under various working situations.

Kühl Stylish fans are here with everything you need from a fan and much more to give you all-round performance. With $\frac{1}{3}^{\text{rd}}$ the energy consumption, it is a pioneer in energy efficiency and brings you world-class comfort. It's time to say goodbye to high electricity bills and be part of the smart future

Thank you!

Kühl Stylish Fans

TABLE OF CONTENTS

1. Introduction	1
2. Features of Kühl Arctis Fan	1
3. Know your Product (Kühl Arctis).....	2
4. Know your Remote Control Device (For Kühl Arctis A1 & A4)	2
5. Items in the Box	3
6. Cost Saving Guide	3
7. Mounting Recommendations & Maintenance	4
8. Safety Guidelines	4
9. Assembly Instructions	4-12

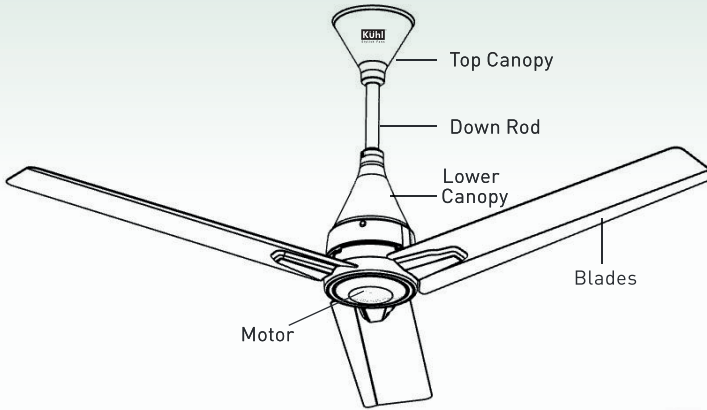
Introduction

Kühl Stylish Fans come with revolutionary and super energy-efficient BLDC motor technology that saves electricity up to 65%. Our fans consume only 1/3rd of the power consumed by ordinary fans. Kühl Stylish Fans run on just 24/29 Watt power at full speed whereas ordinary induction fans run on approx. 75 Watt.

Features of Kühl Arctis Fan

- 1. BLDC Technology for energy saving:** Kuhl Stylish Fans offer better speed versus torque characteristics. It ensures high dynamic response and efficiency. Thanks to its lack of electrical and frictional losses, it offers long operating life.
- 2. 24/29 Watt power with 1200/1050/900 MM Sweep** Energy efficient operation with optimal sweep and speed lets you stay comfortable all day long.
- 3. Low Noise:** Low noise operation without compromising on the speed limit is the most important benefit of Kuhl Stylish Fans.
- 4. 5 Star Rated:** All Kuhl Stylish Fans are 5 Star Rated that helps bring down the power consumption, thus, saving a lot of energy and money.
- 5. Remote Operated:** Eliminates the need of regulators to control the speed of your fans. Just use the battery operated remote and adjust the speed of Kuhl Stylish Fans as per your choice.
- 6. Higher Air Force:** Its higher air flow ensures unmatched comfort for every corner of the place. Its pathbreaking aerodynamic technology keeps your home environment pleasant.
- 7. Attractive Design:** Stylish enough to enhance the look of your home, Kuhl Stylish Fans feature decorative trims and a sleek surface that become the centre of attention in any space.

Know Your Product (Kühl Arctis)



Know your Remote Control Device (For Kühl Arctis A1 & A4)

BUTTON	FUNCTION	
POWER	Single Button for Fan (ON/OFF) Upon Power ON the Fan restarts at last Switch OFF speed.	
BOOST	Fan runs at Maximum Speed	
SPEED 1	Fan runs at Speed level 1	
SPEED 2	Fan runs at Speed level 2	
SPEED 3	Fan runs at Speed level 3	
SPEED 4	Fan runs at Speed level 4	
SPEED 5	Fan runs at Speed level 5	
1H	Fan turns OFF after 1 hour. To activate the Timer, press TIMER ON after pressing 1H	
4H	Fan turns OFF after 4 hours. To activate the Timer, press TIMER ON after pressing 4H	
8H	Fan turns OFF after 8 hours. To activate the Timer, press TIMER ON after pressing 8H	
TIMER ON	Activates the OFF Timer for Fan. This needs to be pressed soon after pressing 1H / 4H / 8H button	
TIMER OFF	Cancels the timer	
SLEEP	Speed of Fan decreases by 1 speed level after every two hours. Upon reaching Speed 1, fan keeps running at Speed 1 till switched off	

SPECIFICATION	Kühl ARCTIS A4 (1200 mm)	Kühl ARCTIS A1 (1200 mm)	Kühl ARCTIS A1 (1050 mm)	Kühl ARCTIS A1 (900 mm)
MAX POWER (W)	29	29	24	24
SWEEP (MM)	1200	1200	1050	900
MAX SPEED (RPM)	350	350	410	430
MAX AIR DELIVERY (CMM)	220	220	150	132
WITH REMOTE	YES	YES	YES	YES

Items in the box

Fan Motor Assembly	1 N	Remote Unit	1 N
Canopies	2 N	Down Rod	1 N
Shackle	1 N	Blades	3 N
Down Rod Bolt	1 N	Supply Wire 450mm	1 N
Warranty Card	1 N		

Cost Saving Guide

	Ordinary Fans	Kühl Arctis Fans (A1 & A4) (1200 mm)	Kühl Arctis Fans (A1) (1050 mm & 900 mm)
Power consumption	75 W	29 W	24 W
Assumed usage of fan per day (hours)	16 h	16 h	16 h
Power consumption – KWh Units per day	1.2 kWh	0.464 kWh	0.384 kWh
Electricity bill per day @ Rs 7/unit	Rs 8.4	Rs 3.25	Rs 2.68
Electricity bill per annum	Rs 3066	Rs 1186	Rs 978
Savings per annum	-	Rs 1880	Rs 2088
Cost saving (Up to)	-	61%	68%

Mounting Recommendations & Maintenance

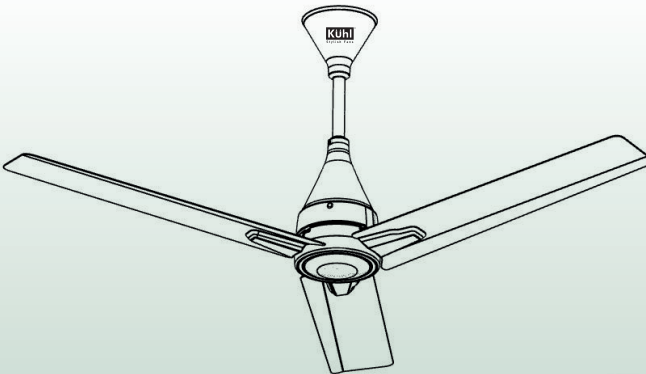
1. A minimum height of 2.3 meters above the ground is required for mounting the fan. Allow enough room from the ceiling for the high-level cabinet doors to open. At least 0.25 meters should separate the blade from the ceiling.
2. The horizontal distance from the nearest wall to the blade tip should be around 0.5 times the fan sweep, for example, from 1200 mm, it should be 600 mm.
3. There should be a minimum clearance of 2 times the fan sweep between the centers of two fans, for example, 1200 mm should be 2400 mm.
4. Turn the fan off before cleaning, to prevent any harm or damage. Be extremely cautious while working around the fan. There is no additional type of maintenance needed except routine dusting. To prevent scratches, use a soft brush or a lint-free cloth. Avoid using solvents, abrasives, or hard detergents.
5. To prevent the fan from wobbling or dropping, never exert too much pressure while cleaning the blades. To prevent any inconvenience, frequently check that the nuts, bolts, screws, and washers are in the correct position.

Safety Guidelines

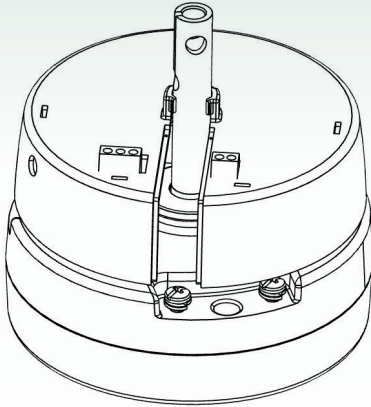
Read the safety guidelines carefully to understand the installation, use, and maintenance.

1. Never place any part of the packaging within the reach of children/differently abled.
2. Avoid using moist or damp hands while switching On/Off this appliance.
3. Before cleaning and doing other maintenance procedures, be sure to turn off the fan's power supply.
4. To prevent mishaps, it is advised to inspect the suspension system of the ceiling fan every six months to ensure that the fasteners are properly fastened.

Assembly Instructions Kühl Arctis Series Fans

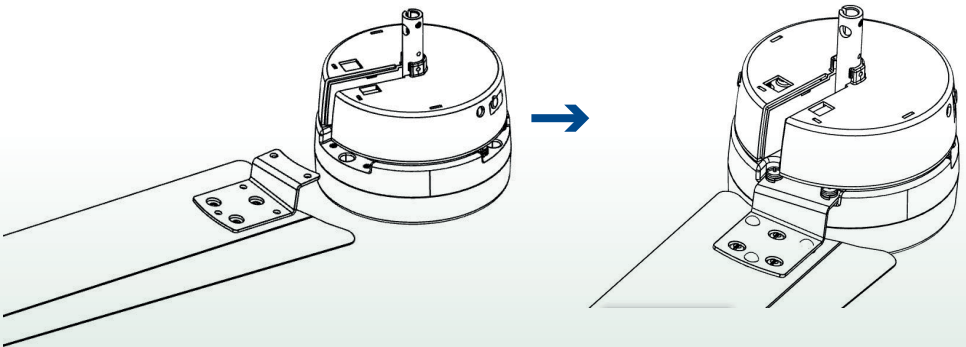


Step 1. Open Blade screws



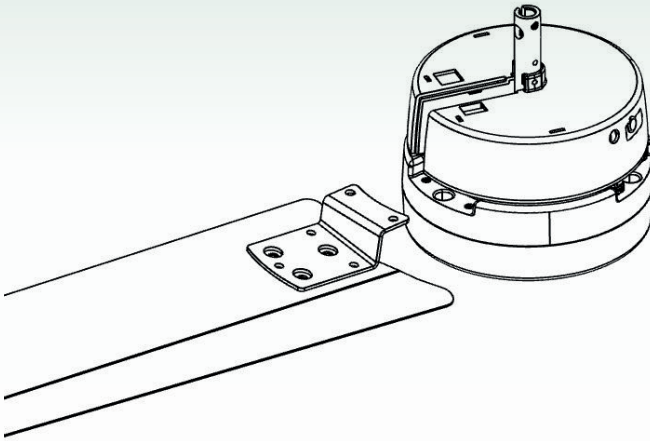
Place the Motor unit over a towel on a table, and open the 6 Blades and Screws as shown

Step 2A. Assemble 1st Blade



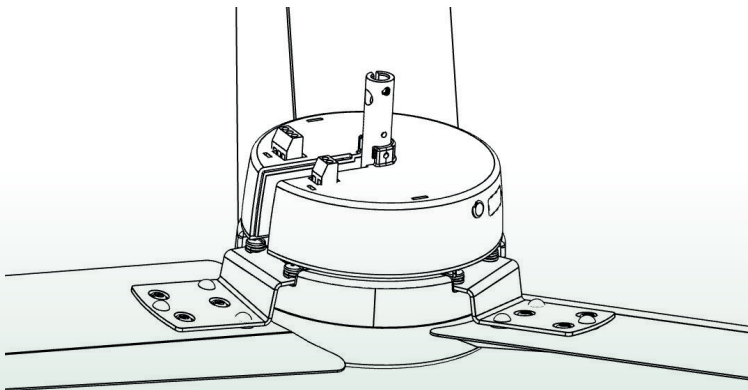
Bring the 1st Blade towards the fan motor, and align with the blade holes on the motor unit

Step 2B. Assemble 1st Blade



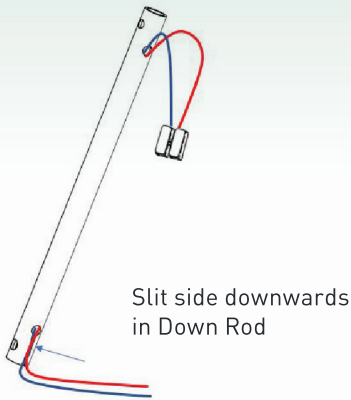
Re-insert and fasten the 2 screws

Step 3. Assemble all 3 blades

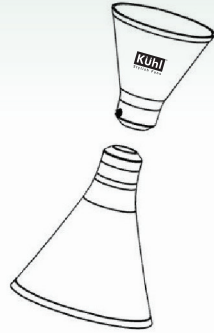


In a similar manner as done for the 1st blade, assemble the other 2 blades

Step 4. Down Rod Installation

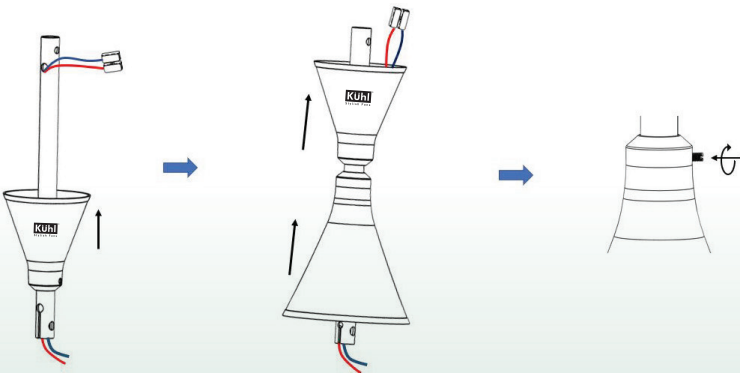


Take the DownRod with
pre-inserted supply wire



Also bring the Canopies

Step 5. Insert Canopies over DownRod

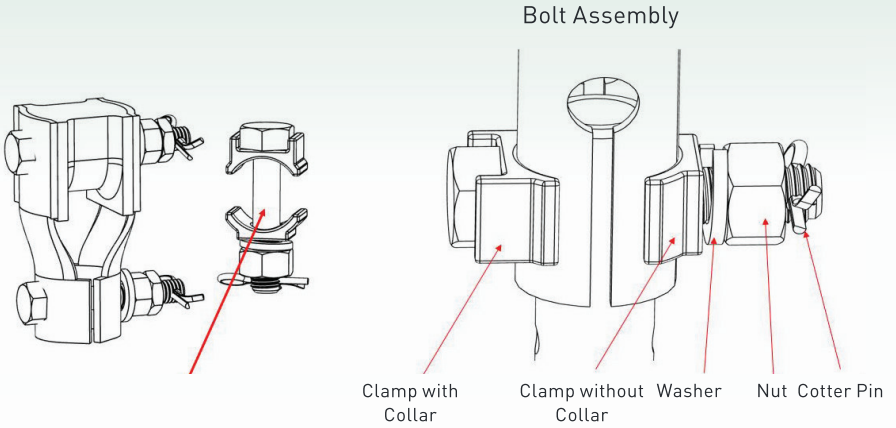


Insert smaller
Canopy from Slit-end
of Down Rod

Insert bigger
Canopy also from
Slit-end, as shown

Raise bigger Canopy and
tighten the Canopy screw
to hold it in place

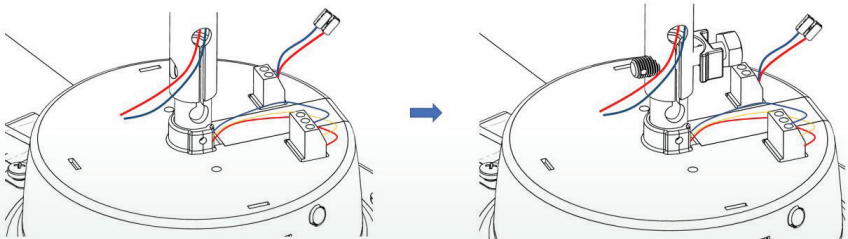
Down Rod Bolt



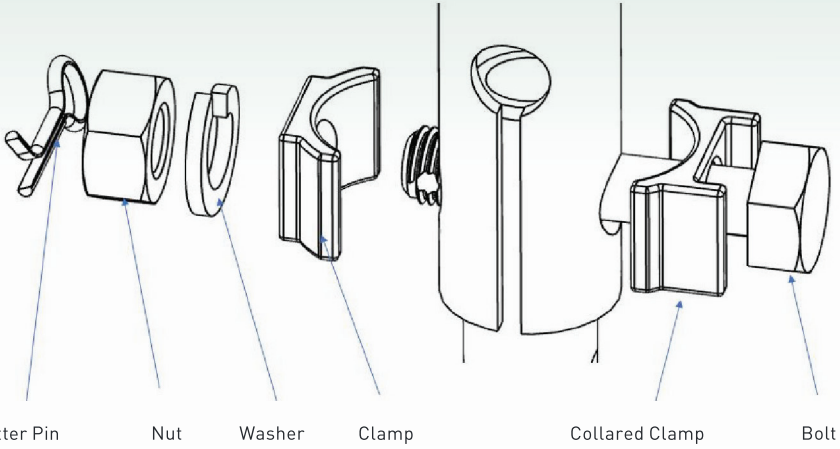
Take the Down Rod Bolt from the Shackle kit

Bolt Assembly Details

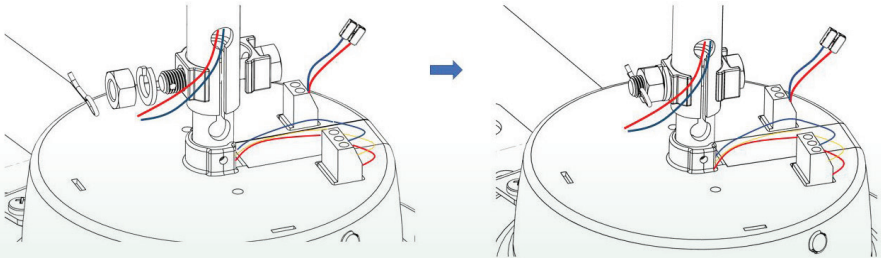
Step 6A. Down Rod Assembly



Bolt Assembly Sequence



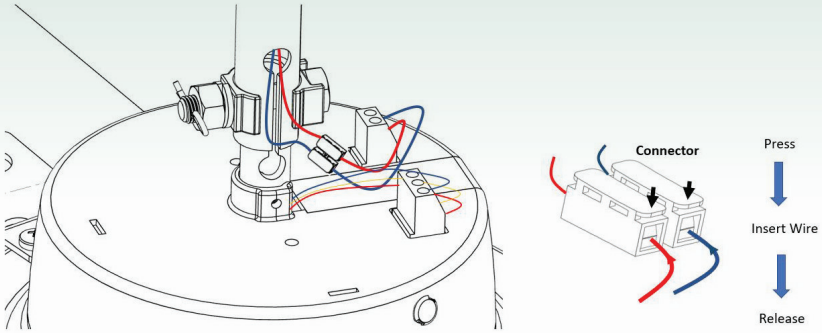
Step 6B. Down Rod Assembly



Fasten the Down Rod bolt as shown

Down Rod bolt fastened

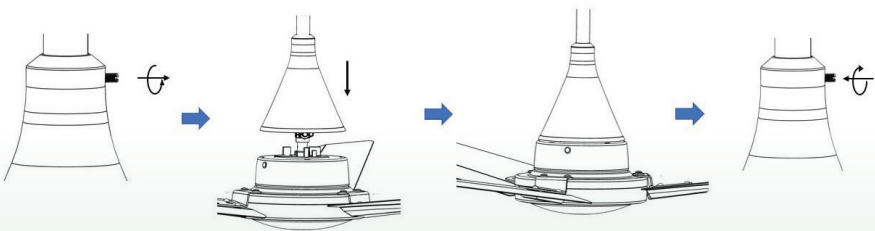
Step 7. Make Electrical Connections



Connect the Supply wire from Down Rod into Link Wire connector

Wire Connection Method

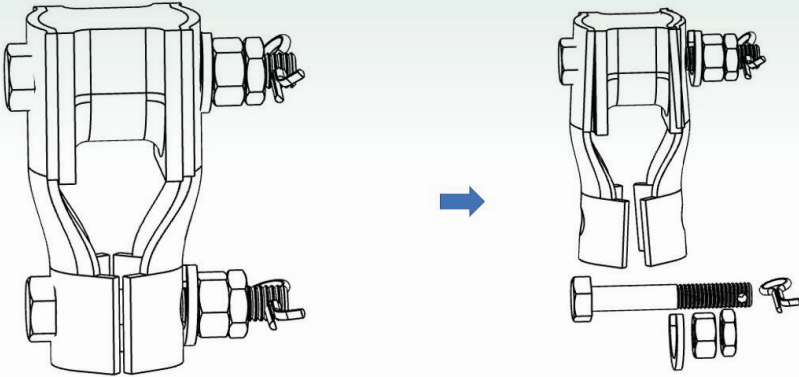
Step 8. Bring Lower Canopy Down



Loosen The Screw and Bring the lower Canopy down

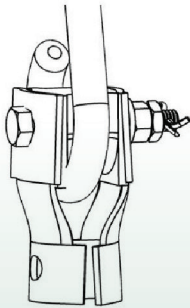
Fasten back the Screw to lock the canopy in position

Step 9. Open Lower Bolt from Shackle

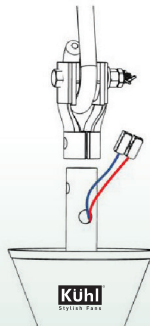


Step 10. Install Shackle and Hang the Fan

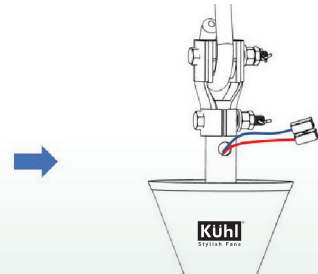
Insert Shackle
into Ceiling Hook



Raise Fan
to Shackle

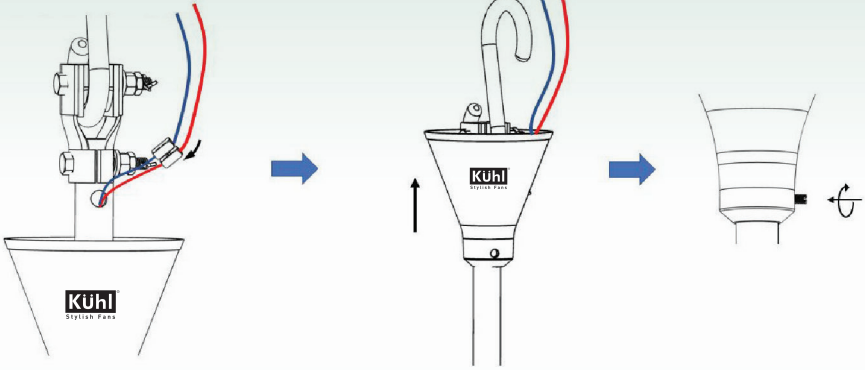


Re-insert
Lower Bolt



Tighten with Washer, Nut, Lock Nut
and Cotter Pin in sequence as written

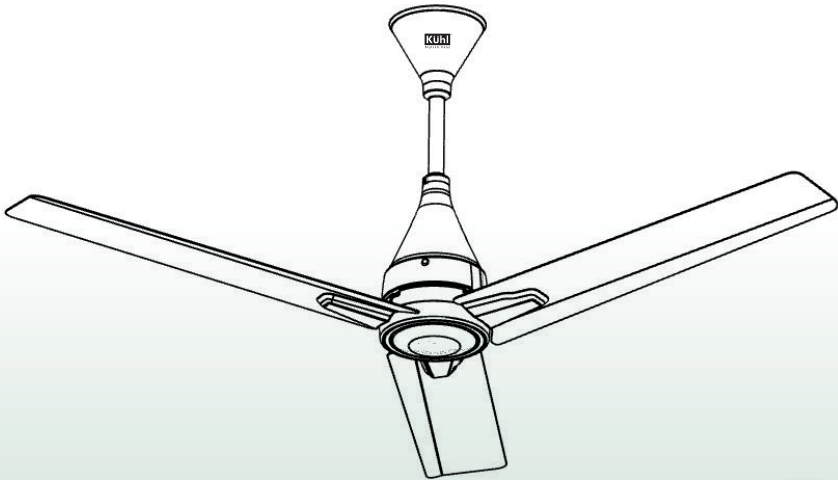
Step 11. Connect to Electric supply



Connect the wires from main supply into fan connector

Raise the upper Canopy and tighten the Canopy screw

Assembly and Installation complete



All Kühl ARCTIS Fans are 5- Star Rated By BEE

**MORE STARS
MORE SAVINGS**

**POWER SAVINGS
GUIDE**

**ENERGY EFFICIENCY
Service Value - 7.6***

Label Period: 1st July, 2022 to 31st Dec, 2024

Appliance /Type	: Ceiling Fan
Brand	: KUHL
Model Name/Year	: KUHL ARCTIS-A1-1200/2024
Motor Type	: BLDC
Sweep Size (mm)	: 1200mm
Power Input (watts)	: 29 watts
Air Delivery (cum/min)	: 220 cu m/min

Under test conditions. When tested in accordance with IS 374:2019 including all amendments. Actual service value may vary as per site conditions.

**Kühl ARCTIS A1
(1200 mm)**

**MORE STARS
MORE SAVINGS**

**POWER SAVINGS
GUIDE**

**ENERGY EFFICIENCY
Service Value - 7.6***

Label Period: 1st July, 2022 to 31st Dec, 2024

Appliance /Type	: Ceiling Fan
Brand	: KUHL
Model Name/Year	: KUHL ARCTIS-A4-1200/2024
Motor Type	: BLDC
Sweep Size (mm)	: 1200mm
Power Input (watts)	: 29 watts
Air Delivery (cum/min)	: 220 cu m/min

Under test conditions. When tested in accordance with IS 374:2019 including all amendments. Actual service value may vary as per site conditions.

**Kühl ARCTIS A4
(1200 mm)**

**MORE STARS
MORE SAVINGS**

**POWER SAVINGS
GUIDE**

**ENERGY EFFICIENCY
Service Value - 6.3***

Label Period: 1st July, 2022 to 31st Dec, 2024

Appliance /Type	: Ceiling Fan
Brand	: KUHL
Model Name/Year	: KUHL ARCTIS-A1-1050/2024
Motor Type	: BLDC
Sweep Size (mm)	: 1050mm
Power Input (watts)	: 24 watts
Air Delivery (cum/min)	: 150 cu m/min

Under test conditions. When tested in accordance with IS 374:2019 including all amendments. Actual service value may vary as per site conditions.

**Kühl ARCTIS A1
(1050 mm)**

**MORE STARS
MORE SAVINGS**

**POWER SAVINGS
GUIDE**

**ENERGY EFFICIENCY
Service Value - 5.5***

Label Period: 1st July, 2022 to 31st Dec, 2024

Appliance /Type	: Ceiling Fan
Brand	: KUHL
Model Name/Year	: KUHL ARCTIS-A1-900/2024
Motor Type	: BLDC
Sweep Size (mm)	: 900mm
Power Input (watts)	: 24 watts
Air Delivery (cum/min)	: 132 cu m/min

Under test conditions. When tested in accordance with IS 374:2019 including all amendments. Actual service value may vary as per site conditions.

**Kühl ARCTIS A1
(900 mm)**



CONTACT US AT:

E-6,7 & 8, Sector-59, Noida, U.P.-201 309, India. Call: 92-789-12345

E-mail: service@kuhl.in or visit us at www.kuhl.in